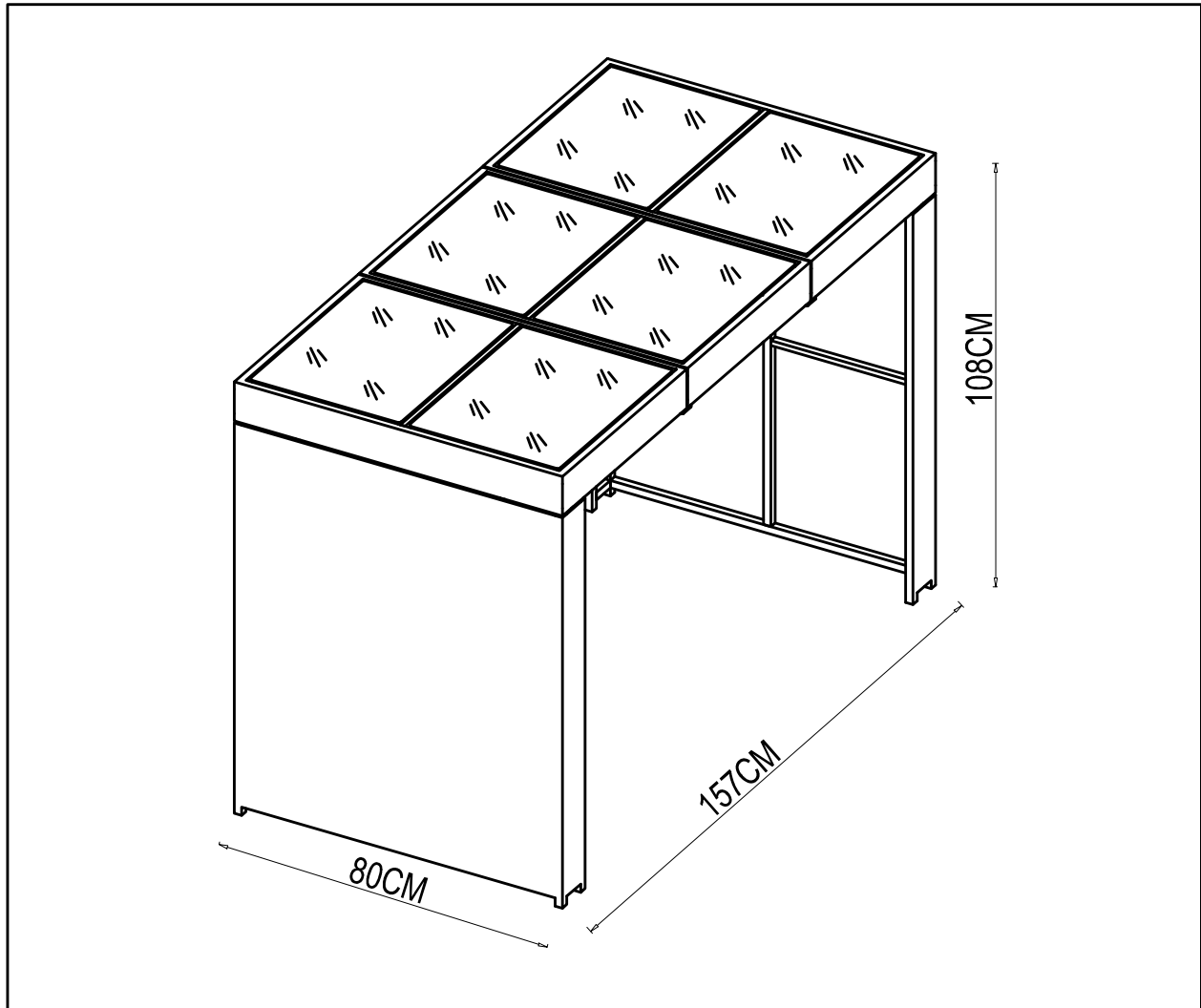




ASSEMBLY INSTRUCTION  
MATIRA 7 PIECE OUTDOOR BAR SETTING  
BAR TABLE

ITEM CODE - 75310

Imported by Amart Furniture Pty Ltd, Qld, Brisbane Australia .  
For any assistance with assembly or for missing parts please phone  
Amart Furniture , Customer Service Freecall 1800 351 084


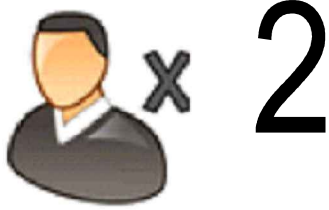


Imported by Amart Furniture Pty Ltd, Qld, Brisbane Australia .  
For any assistance with assembly or for missing parts please phone  
Amart Furniture, Customer Service Freecall 1800 351 084

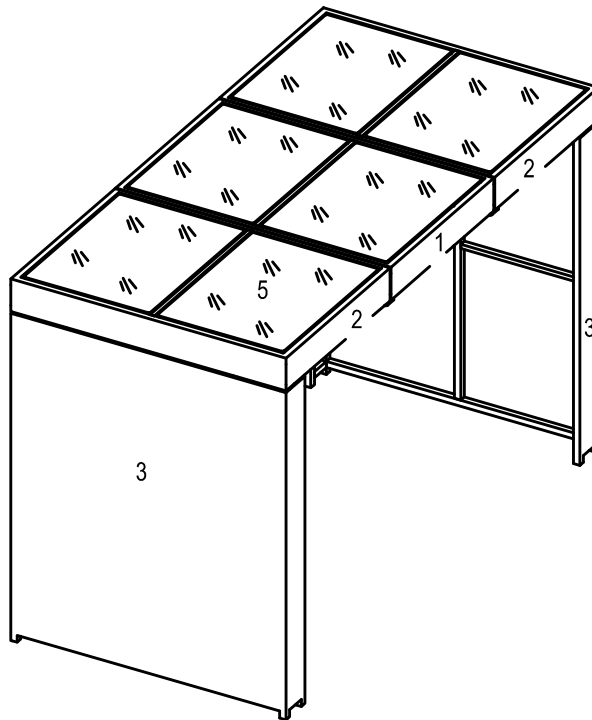
## PRE-ASSEMBLY PREPARATION

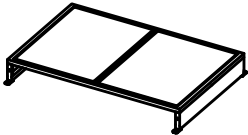
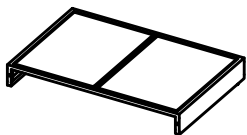
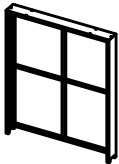

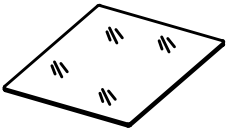
### Before you start:






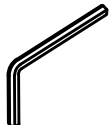

1. Choose a clean, level, spacious assembly area. Avoid hard surfaces that may damage the product.
2. Take care when lifting. Product should be assembled as near as possible to the point of use.
3. Ensure that you have all required contents for complete assembly.
4. Always read the assembly instructions carefully before beginning assembly.
5. Keep all hardware parts and packaging out of reach of small children.
6. Do not over tighten the screws and bolts as this may damage the threads.

	
ALLOW 20 MINUTES	PEOPLE REQUIRED
ADDITIONAL TOOLS REQUIRED	

# PARTS LIST

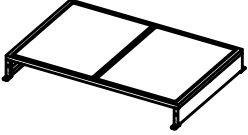
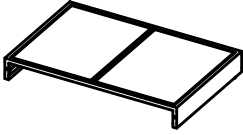

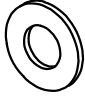
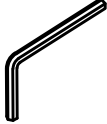


1. Table Top		1PC	2. Table Top		2PCS
3. Legs		2PCS	4. Fixed Link		2PCS
5. Glass		6PCS			

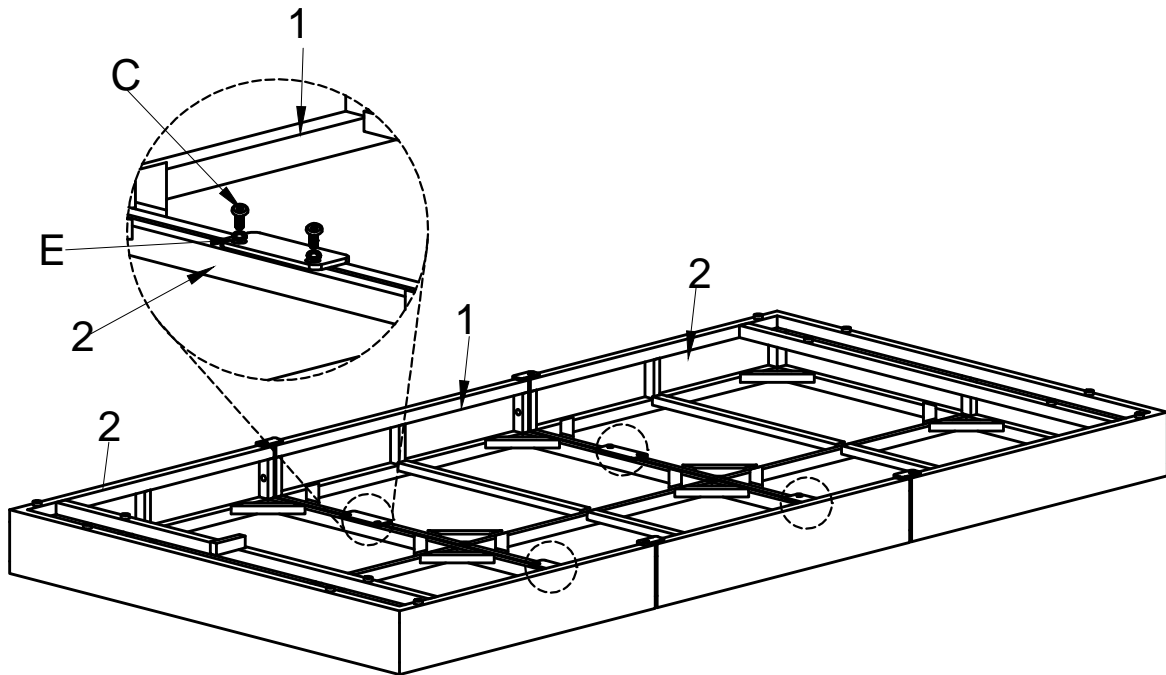
A. Bolt		M6*40*4PCS	B. Bolt		M6*35*12PCS	C. Bolt		M6*15*16PCS	D. Nut		M6*4PCS
E. Washer		M6*36PCS	F. Allen Key		M6*1PC	G. Wrench		M6*1PC			

# Step 1:

## ITEMS REQUIRED


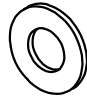
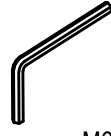
1. Table Top 1PC 	2. Table Top 2PCS 	
C. Bolt  M6*15*8PCS	E. Washer  M6*8PCS	F. Allen Key  M6*1PC

- Attach table top (2) to table top (1) together in the centre using bolt (C) with washer (E) .
- Insert all bolts before fully tightening .
- Tighten with allen key (F) .

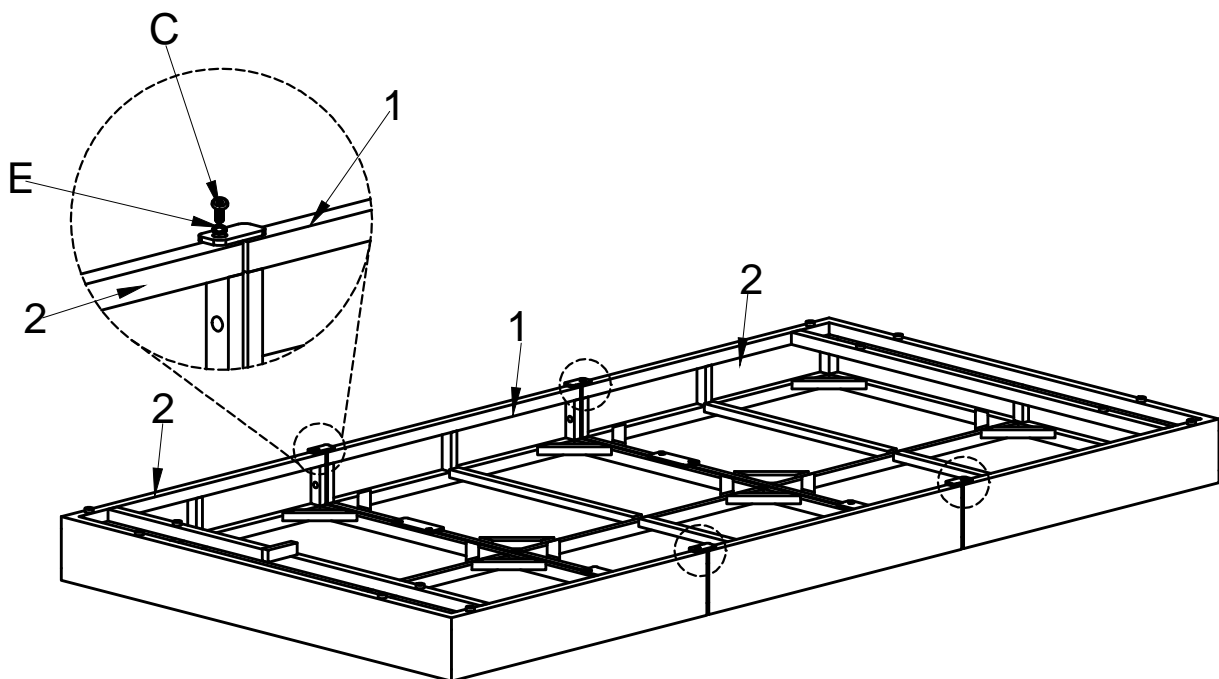


# Step 2:

## ITEMS REQUIRED


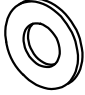
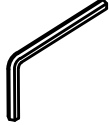


C. Bolt  M6*15*4PCS	E. Washer  M6*4PCS	F. Allen Key  M6*1PC
--	---	---

- Attach table top (2) and table top (1) together at the edges using bolt (C) with washer (E) .
- Insert all bolts before fully tightening .
- Tighten with allen key (F) .

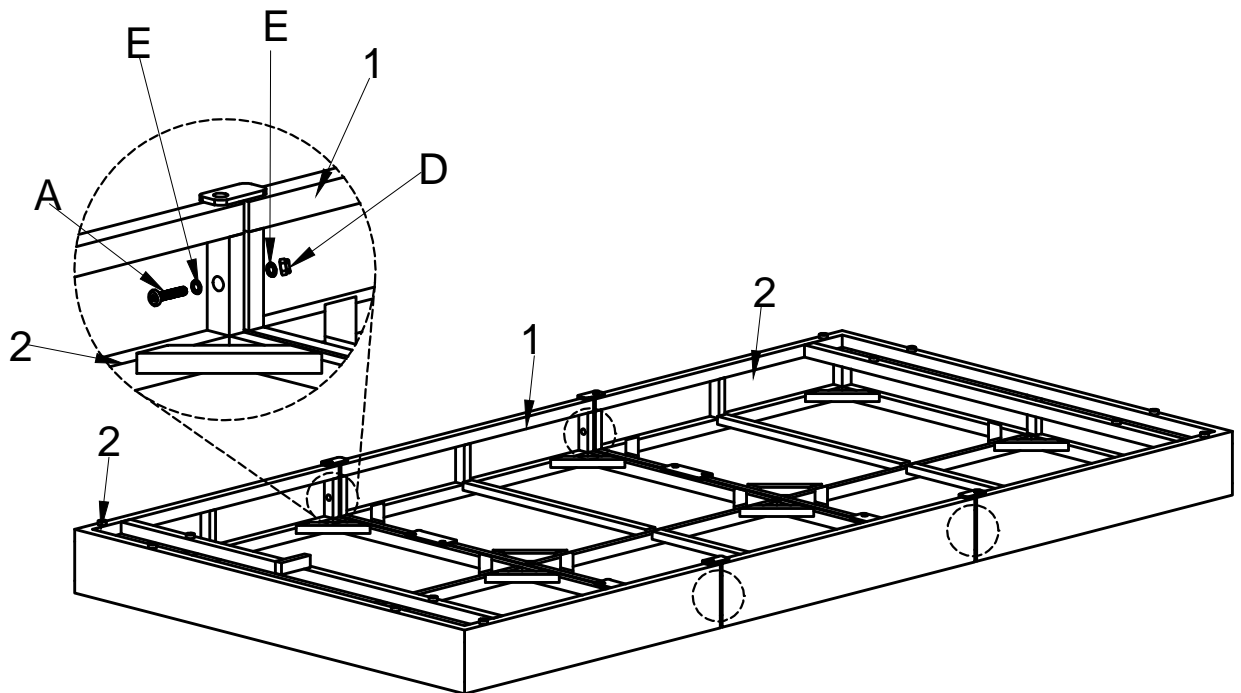


# Step 3:

## ITEMS REQUIRED

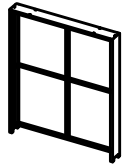

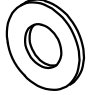
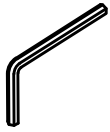
D. Nut  M6*4PCS	E. Washer  M6*8PCS	F. Allen Key  M6*1PC	G. Wrench  M6*1PC
A. Bolt  M6*40*4PCS			

- Attach table top (2) to table top (1) using bolt (A) with washer (E) and nut (D).
- Insert all bolts before fully tightening .
- Tighten with allen key (F) and wrench (G).

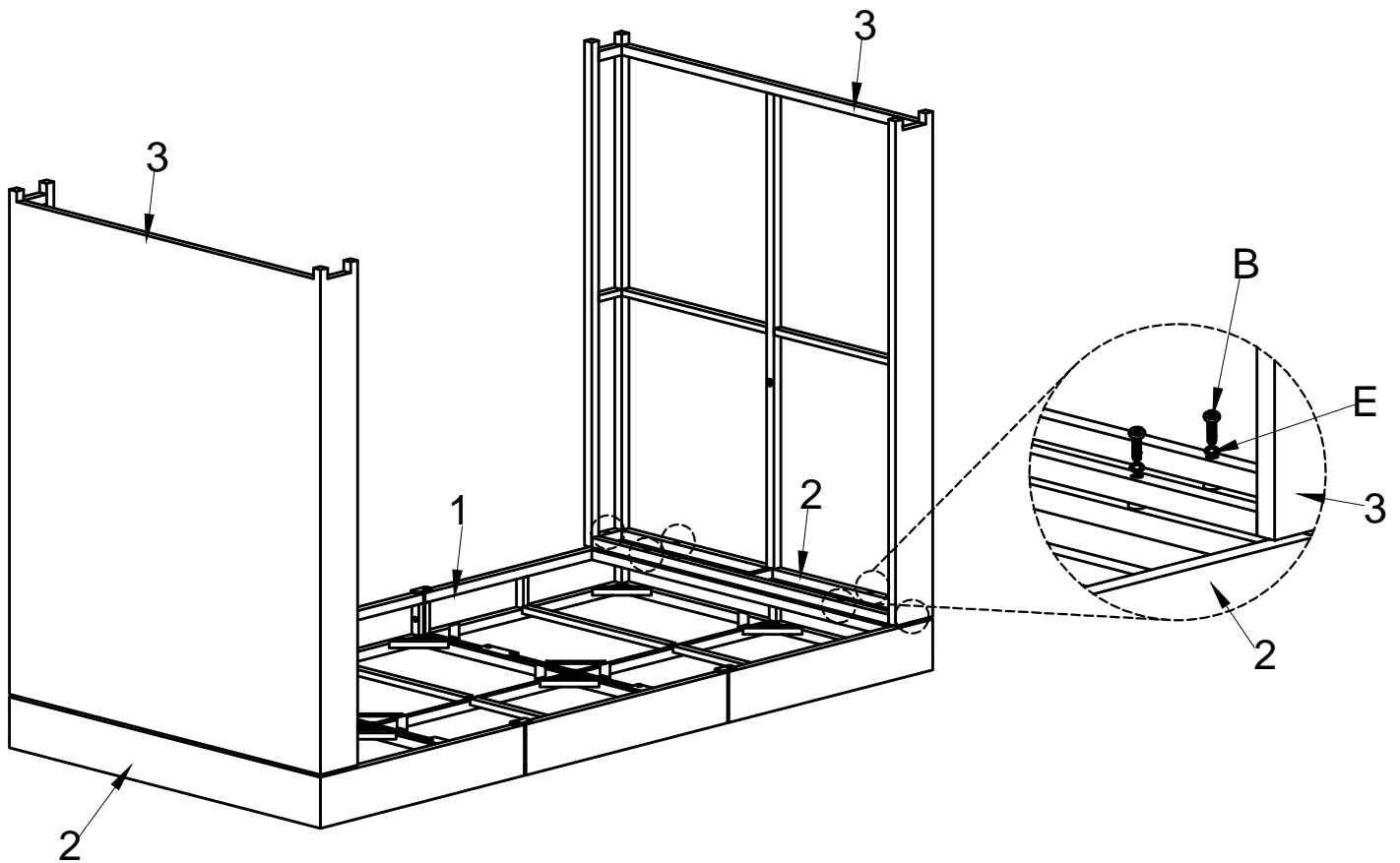


# Step 4:

## ITEMS REQUIRED

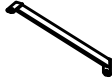

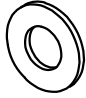
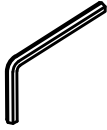
3. Legs 1PC 		
B. Bolt  M6*35*12PCS	E. Washer  M6*12PCS	F. Allen Key  M6*1PC

- Attach legs (3) to table top (2) using bolt (B) with washer (E) .
- Insert all bolts before fully tightening .
- Tighten with allen key (F) .

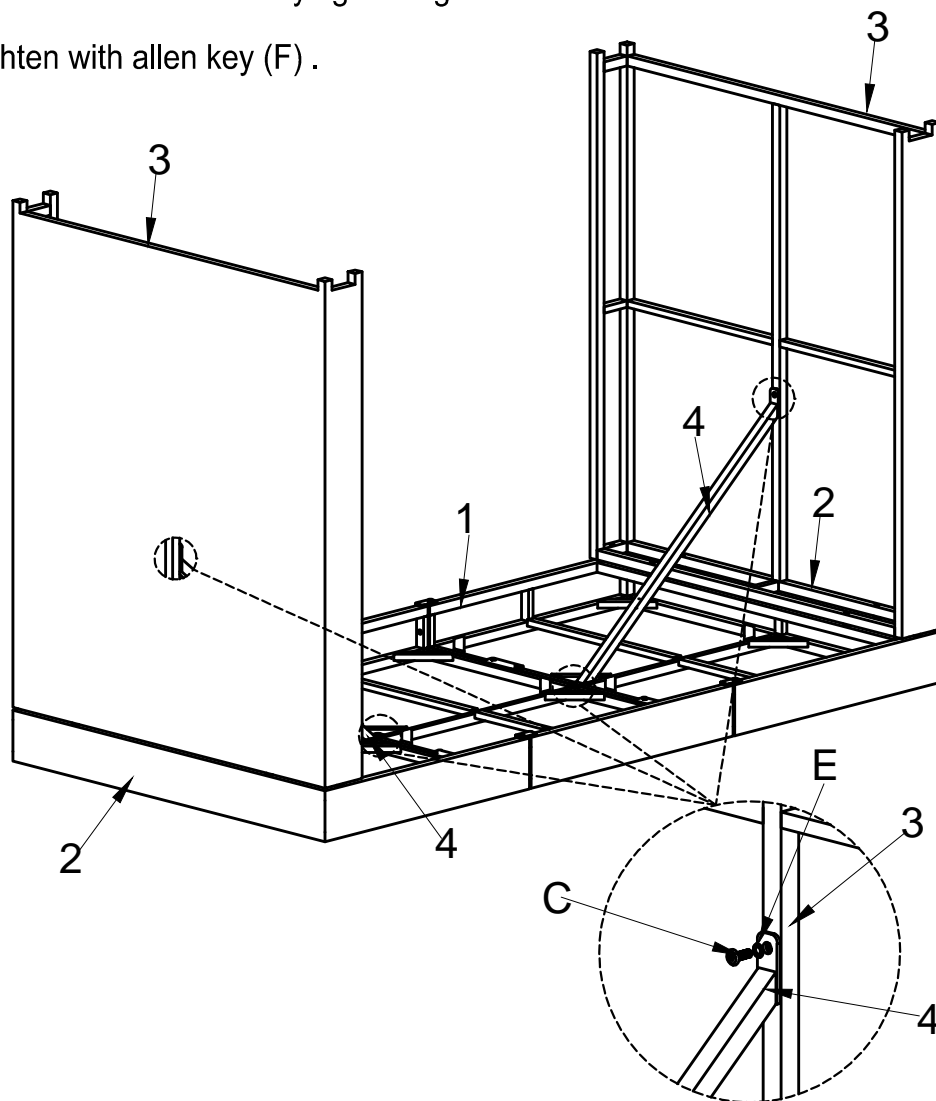


# Step 5:

## ITEMS REQUIRED

4. Fixed Link 2PCS 		
C. Bolt  M6*15*4PCS	E. Washer  M6*4PCS	F. Allen Key  M6*1PC

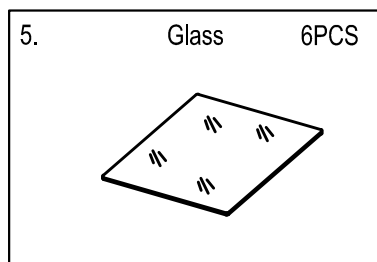
- Attach fixed link (4) to legs (3) and table top (1) using bolt (C) with washer (E) .
- Insert all bolts before fully tightening .
- Tighten with allen key (F) .



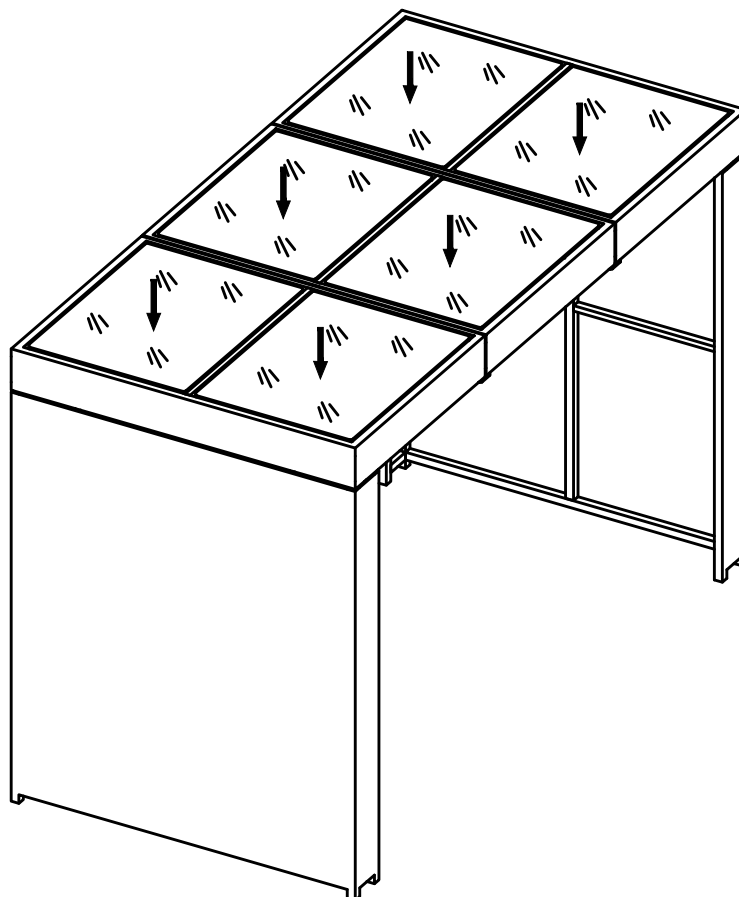


# Step 6:

## ITEMS REQUIRED



- Turn over the table frame.
- Place glass (5) on the top of the table.
- Glass is secured on the table with suckers.

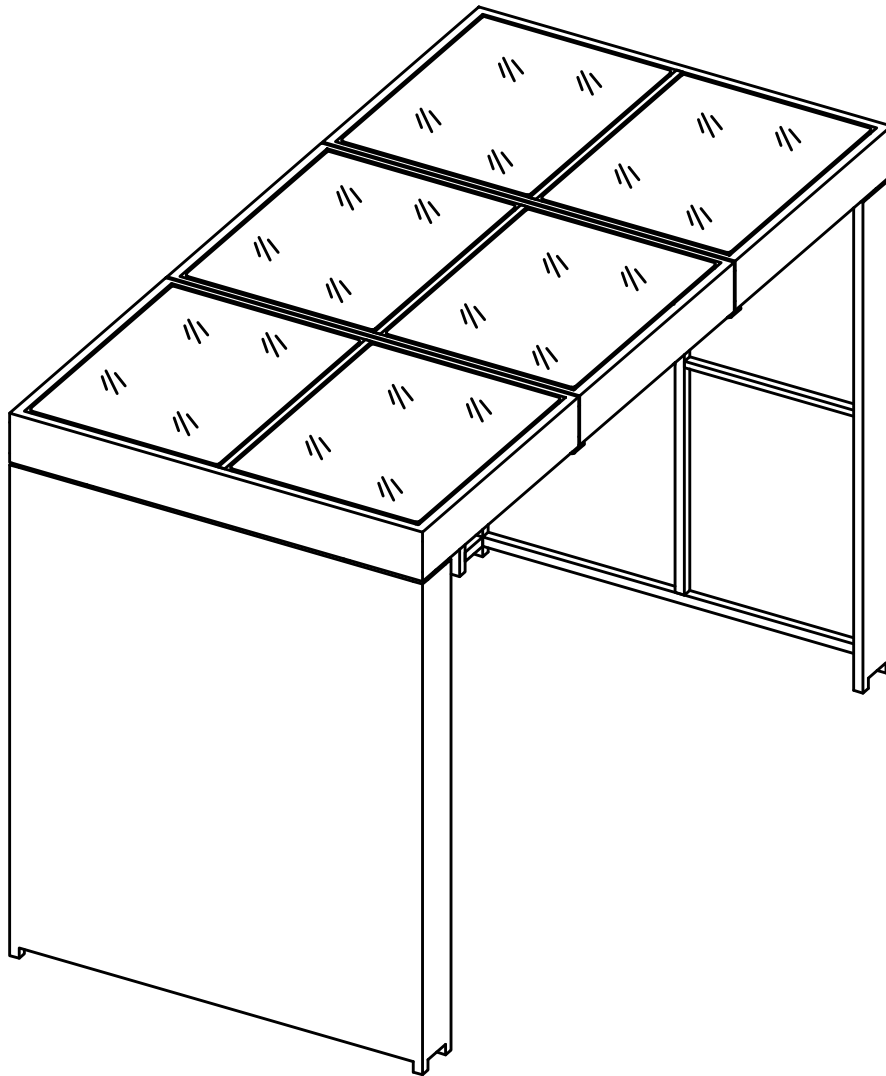


## ASSEMBLY IS COMPLETE

### DO NOT DRAG:

Do not drag the item as this may cause damage to the legs.

Instead, use 2 people to lift carefully and with caution from either end.



# Care and maintenance



## Metal

- ☒ Item is designed for use outdoors. However we do not recommend leaving this product outside when not in use. To preserve the life of this item, avoid prolonged exposure to the elements & store inside/under cover or use an outdoor cover.
- ☒ DO NOT allow the furniture to be left in the rain or left wet for extended periods of time.
- ☒ Wipe furniture Dry immediately after it becoming wet.
- ☒ DO NOT clean your furniture down with any harsh solvents, abrasives or chemicals.
- ☒ To remove dirt and grime, simply rinse with fresh water or periodically clean using a sponge and mild detergent solution as required

## Wicker

- ☒ Regular vacuuming and dusting of items is recommended.
- ☒ If weave on wicker becomes lacerated/damaged, do not pull on it as this may cause unravelling.
- ☒ Prolonged exposure to the elements may cause colour fading.
- ☒ To extend the life of your product the use of an Amart approved Outdoor Furniture Cover is highly recommended. Please contact store of purchase for further details.

## Glass

- ☒ If the glass is chipped or broken, stop using the product and consult place of purchase .
- ☒ Do not drop, drag or strike glass .
- ☒ Do not sit or stand upon the glass surface .
- ☒ Do not place very hot or cold items on the glass surface unless adequately thick table mats are used to prevent such items coming in contact with the glass .
- ☒ Do not place heavy objects on glass .
- ☒ Avoid scratching the glass or using as a chopping surface .
- ☒ Do not strike the glass with hard or pointed items .
- ☒ When cleaning the glass panels use a damp cloth with washing up liquid or soft soap if necessary. Do not use washing powders or any other substances containing abrasives since these may scratch the glass.